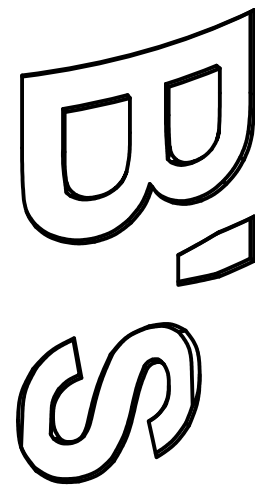
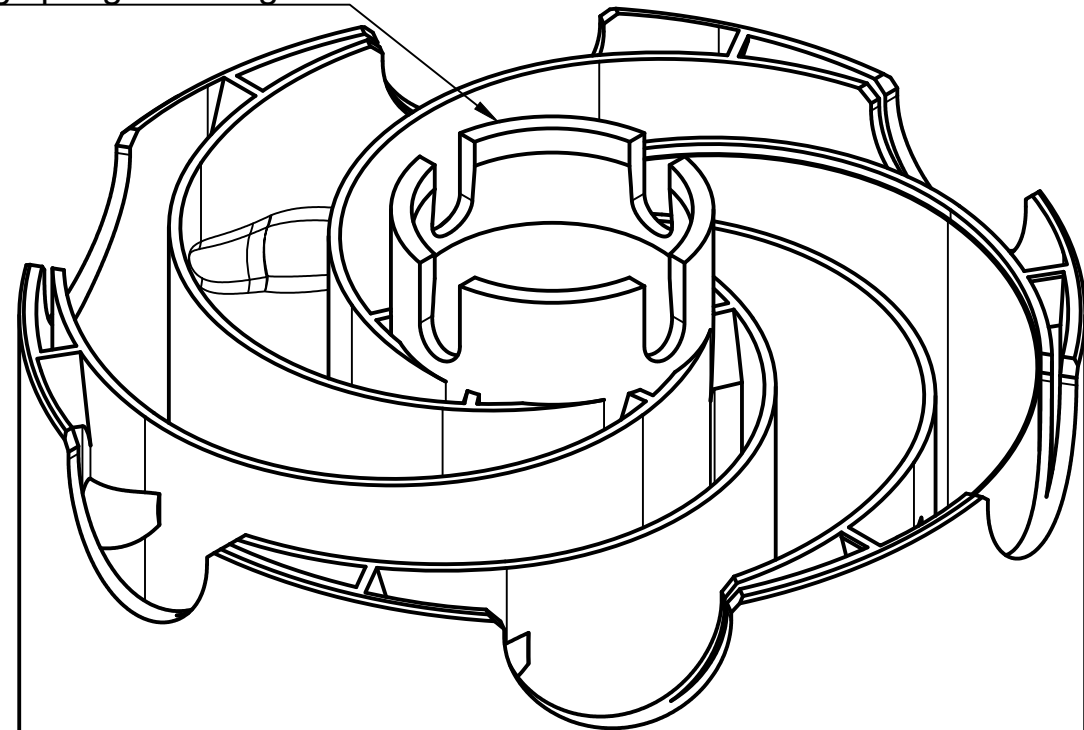
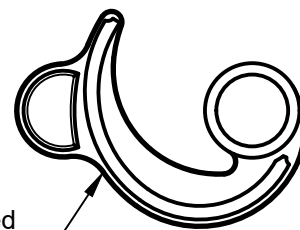


Be careful, the tube holding springs are fragile.



**Sheet extractor**

Just slide it in from the bottom after development, it will pop your sheet up for an easy removal. The extractor piece is a close fit, it need to be inserted nice and straight to go in free.



# Thank you for buying B's Reel! Mk2

Here is a few tips about using your 2¼x3¼, 9x12, 4x5 or 5x7 reel:

1- Check out my loading video on my Youtube Chanel, it will get you started. search for Pretorrien or copy this link: <https://youtu.be/khPvu29FML4>

2- As stated in the video it is very important to feel if there is film in the front notch or not to avoid double loading. Also, it's good after you have all your sheets loaded to feel the film there too, and count them if you know you had 6 sheets, and you feel an empty slot you will know you double loaded one.

2- Make sure you practice with some bad film in daylight first. Loading practice is important to avoid mis-handeling. As soon as you know how it will take you only minutes to load, remember, be gentle. Δ-Not enough practice can lead to a clumsy/too fast loading in the dark and some micro scratches can happen on the sheet back. ( Since your scanner or enlarger will be focused on the emulsion layer those micro scratches will not affect image quality).

3- Prewash is very important with this kind of reel to remove the AH Layer. Do not hesitate to agitate your prewash shaker style. Your film is held well in this reel and won't go anywhere. Here is my preferred pre-wash workflow: fill, shake, empty 3x. fill, let it sit 3min, empty. fill, shake, empty 3x again. After this your pre-wash water should come out clear. The Ilford wash method is also a good alternative.

4- If your prewash was not sufficient you may have some AH residues left on you film. If it's the case you can dip your film back in developer for 30s to 1min to clear it out. Your film is already fixed so there is no risks of doing so. Obviously it's best to give it a good rinse after.

5- Before you put your loaded reel in the tank make sure you don't forget to insert the Paterson core/column into it first. The core comes in tight at the top but it's normal, the 4 holding springs are there to hold your reel attached to the core during processing.

6- E6 and other processes may stain the reel. This reel is made of ABS and it is dishwasher safe, just put it on the top rack to clean it up ;)

Dept.	Technical reference	Created by <b>Benoit Barbe</b> 03/08/2021	Approved by
<b>B'S</b>	Document type <b>Manual and tips</b>	Document status	
	Title <b>B's Reels Manual</b>	DWG No.	
	Rev.	Date of issue	Sheet <b>1/1</b>